

# QUANTUS 194

## Outdoor Lighting



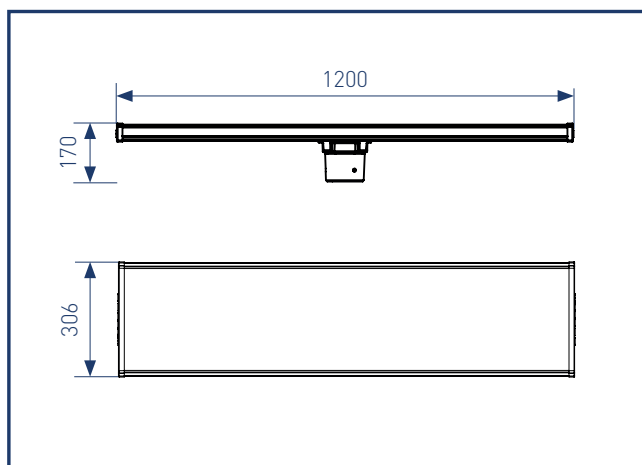
### Your product advantages

- ✓ **Efficient:** Use of newest Mid-Power LED
- ✓ **Physiological:** Reduction of glare by use of 2x 384 Mid-Power LEDs
- ✓ **Reliable:** Best thermal management by large LED modules
- ✓ **Sustainable:** Low current supply and intelligent LED wiring

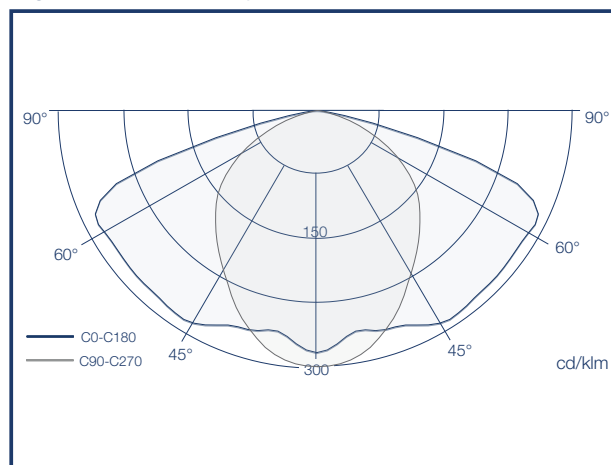
### Application areas

Roads in residential areas, parking areas

### Dimensions (mm)



### Light distribution (asymmetric wide beam)



**QUANTUS 194**

**Basic**

**Eco**

Lighting fixtures body		
Material	Extruded aluminium profile / Die cast aluminium	
Colour (powder coating)	RAL or DB	
Mounting type	Post top mounting (Ø 76 mm)	
Orientation possibilities	Basic up tilt of 0°	
Dimension (length x width x height)	1,200 x 306 x 170 mm	
Weight	app. 18 kg	
Exposed wind surface	0.083 m <sup>2</sup>	
IP Protection class	IP 65	
Glass type	PMMA	
Shock resistance	IK 08	
Photometric properties		
Light source	LED Light Engine with Mid-Power LEDs	
Optical system	Asymmetric wide beam light distribution	
Rated luminous flux	2x (7,000 / 8,000 / 9,000 / 10,000 / 11,000) lm	2x (7,000 - 11,000) lm
Light efficiency	115 / 115 / 115 / 110 / 100 lm/W	100 - 115 lm/W
Colour temperature	3,000 / 4,000 K	
Colour rendering index (Ra)	> 80	
Dimming (power control)	–	Power line control / Digital
Rated lifetime at (ta) 30°C	50,000 h at L80/B10	
Temperature management	–	✓
Constant Light Output (CLO)	–	✓
Electrical properties		
Rated power	2x (60 / 70 / 78 / 90 / 110) W	2x (60 - 110 W (in 2W steps))
Electrical protection class	Class I / II	
Rated voltage	220 - 240 V	
Frequence	50 - 60 Hz	
Surge protection (L-N / L N-ground)	6 kV	6 / 8 kV
Installation suggestions		
Application areas	Roads in residential areas, parking areas	
Light point height	6 - 14 m	
Lighting classes	S	
Admitted ambient temperature (ta)	-25°C - +35°C	
Other properties		
Certificate	ENEC, CE	
Connection to circuit breaker (B16)	6 pcs. / 4 pcs. (from 90 W)	
Options		
Reduction part to Ø 60 mm	✓	