

KONUS 740

Outdoor Lighting



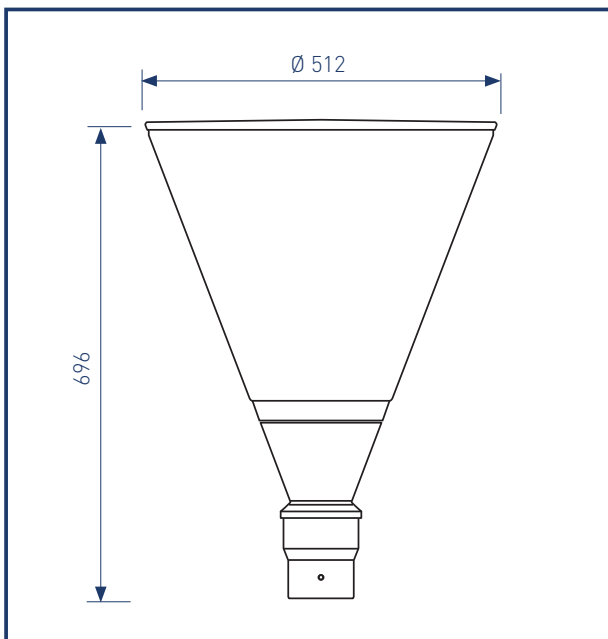
Your product advantages

- ✓ **Unique:** Protected Design
- ✓ **Award winning Design:** Red Dot Design Award
- ✓ **Representative:** Particularly suitable for prestigious architectural environments
- ✓ **Quality "Made in Germany":** High quality materials, high end finishings

Application areas

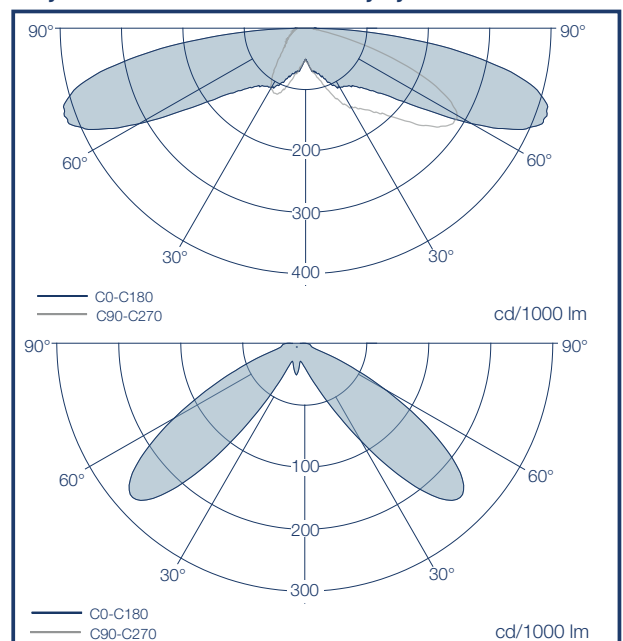
Squares, parks, pedestrian paths

Dimensions (mm)



Light distribution

(asymmetric beam / rotationally symmetrical beam)



KONUS 740

Lighting fixtures body		
Material	Die cast aluminium	
Colour (powder coating)	RAL or DB	
Mounting type	Post top (Ø 120 or 76 mm)	
Orientation possibilities	—	
Dimension (length x width x height)	696 x Ø 512 mm	
Weight	app. 9.5 kg	
Exposed wind surface	0.25 m ²	
IP Protection class	IP 65 (luminaire head) / IP 54 (electrical unit)	
Glass type	PMMA (smooth clear)	
Shock resistance	IK 08	
Photometric properties		
Light source	COB-LED-Modules	
Optical system	Asymmetric light distribution	Rotationally symmetrical light distribution
Rated luminous flux	2,200 / 3,200 lm	1,700 - 2,500 lm
Light efficiency	90 / 88 lm/W	70 / 68 lm/W
Colour temperature	3,000 / 4,000 K	
Colour rendering index (Ra)	> 80	
Dimming (power control)	—	
Rated lifetime at (ta) 30°C	50,000 h at L80/B10	
Temperature management	—	
Constant Light Output (CLO)	—	
Electrical properties		
Rated power	24 / 36 W	
Electrical protection class	Class I / II	
Rated voltage	220 – 240 V	
Frequency	50 – 60 Hz	
Surge protection (L–N / L N–ground)	2 kV	
Installation suggestions		
Application areas	Squares, parks, pedestrian paths	
Light point height	3 – 5 m	
Lighting classes	—	
Admitted ambient temperature (ta)	-25°C – +35°C	
Other properties		
Certificate	CE	
Connection to circuit breaker (B16)	17 pcs.	
Options		
Reduction part to Ø 60 mm	✓	