

# PURO 770

## Outdoor Lighting



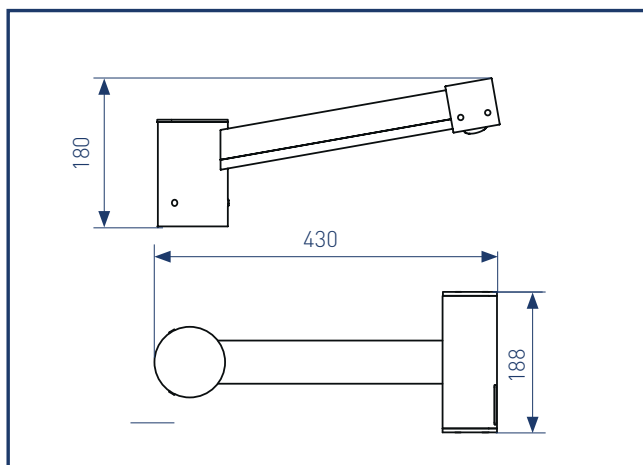
### Your product advantages

- ✔ **Pure:** Simple timeless design
- ✔ **Unique:** Protected, distinctive design
- ✔ **Secure:** Compact design protects against vandalism
- ✔ **Universal:** Other variants are possible as post-top or wall mounting

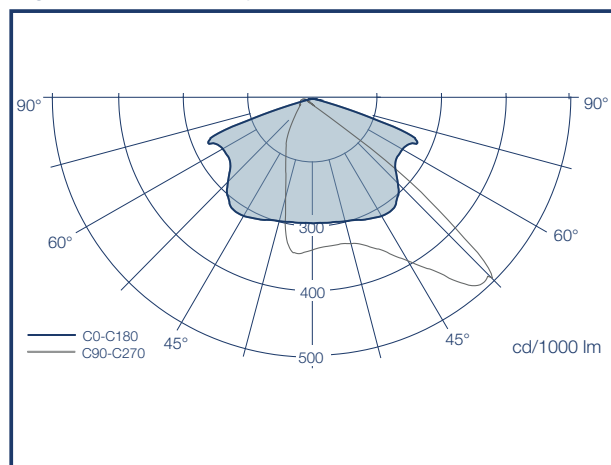
### Application areas

Parking areas, public places, paths

### Dimensions (mm)



### Light distribution (asymmetric wide beam)



**PURO 770**

Lighting fixtures body		
Material	Extruded aluminium profile	
Colour (powder coating)	DB 703	
Mounting type	Post top (Ø 76 mm)	
Orientation possibilities	Basic up tilt of 15° (or 10°)	
Dimension (length x width x height)	430 x 188 x 180 mm	
Weight	app. 2.3 kg	
Exposed wind surface	0.02 m <sup>2</sup>	
IP Protection class	IP 67 (LED module) / IP 44 (electrical unit)	
Glass type	PMMA	
Shock resistance	IK 10	
Photometric properties		
Light source	LED module with High-Power-LEDs	
Optical system	Asymmetric wide beam light distribution	
Rated luminous flux	1,200 / 1,900 lm	1,400 / 2,300 lm
Light efficiency	92 / 73 lm/W	108 / 88 lm/W
Colour temperature	3,000 K	4,000 K
Colour rendering index (Ra)	> 70	
Dimming (power control)	—	
Rated lifetime at (ta) 30°C	50,000 h at L80/B10	
Temperature management	—	
Constant Light Output (CLO)	—	
Electrical properties		
Rated power	13 / 26 W	
Electrical protection class	Class I / II	
Rated voltage	220 – 240 V	
Frequence	50 – 60 Hz	
Surge protection (L–N / L N–ground)	2 kV	
Installation suggestions		
Application areas	Parking areas, public places, paths	
Light point height	3 – 6 m	
Lighting classes	S	
Admitted ambient temperature (ta)	-25°C – +35°C	
Other properties		
Certificate	CE	
Connection to circuit breaker (B16)	16 pcs.	
Options		
Reduction part to Ø 60 mm	✓	