

A0720021 Aberdeen M6 WW

Technical specifications:

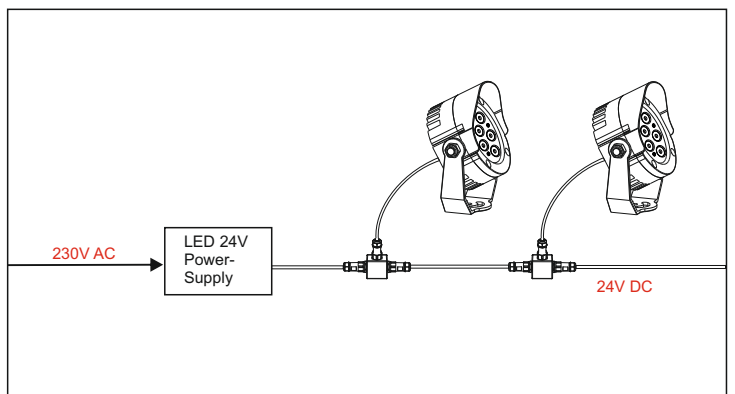
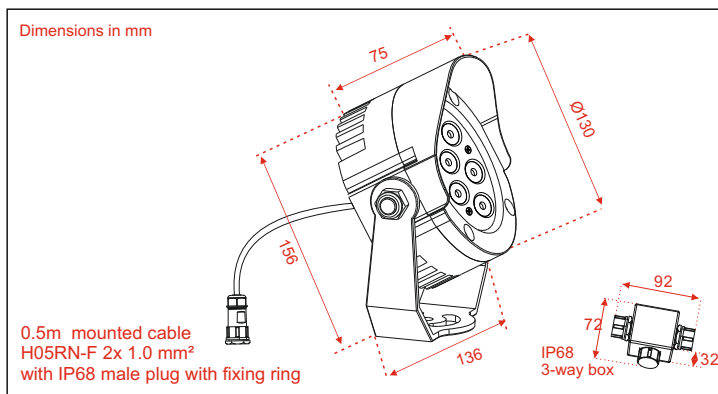
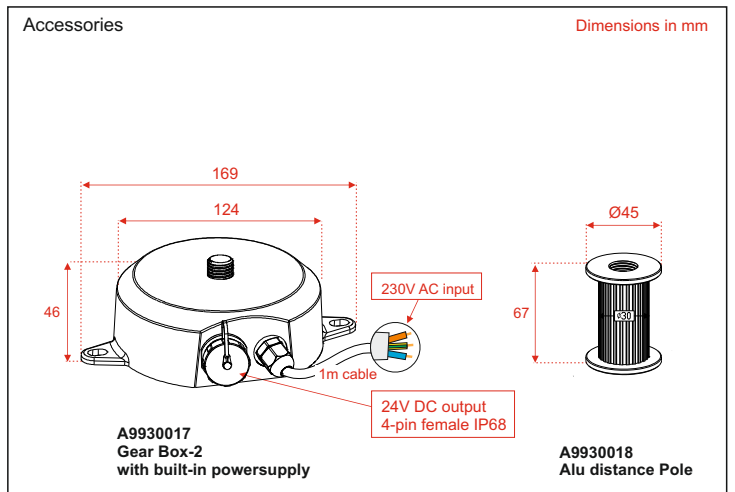
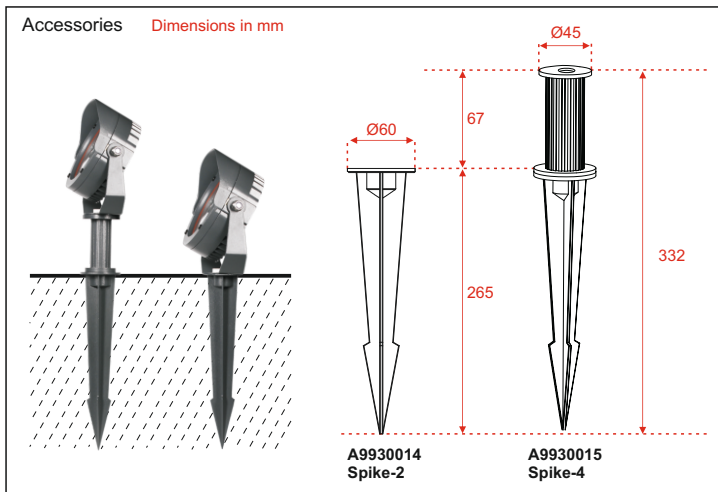
LED system: 6x 2W warm-white LED
 Beam angle: 15°
 Power consumption: 13W / 311Lm
 Power connection: 24V DC by LED-Power supply
 Housing + mounting base: Grey powder coated die-casting aluminum
 (T=50-55µm Adhesion of I/ASTM class 4B)
 Glass: Tempered glass T=3mm
 Lens: optical lens, efficiency >85%
 Ambient Temperature: -0°C / +40°C
 Cooling system: Convection
 Included mounted H05RN-F 2x 1.0mm² L1.5m with mounted IP-68 male plug

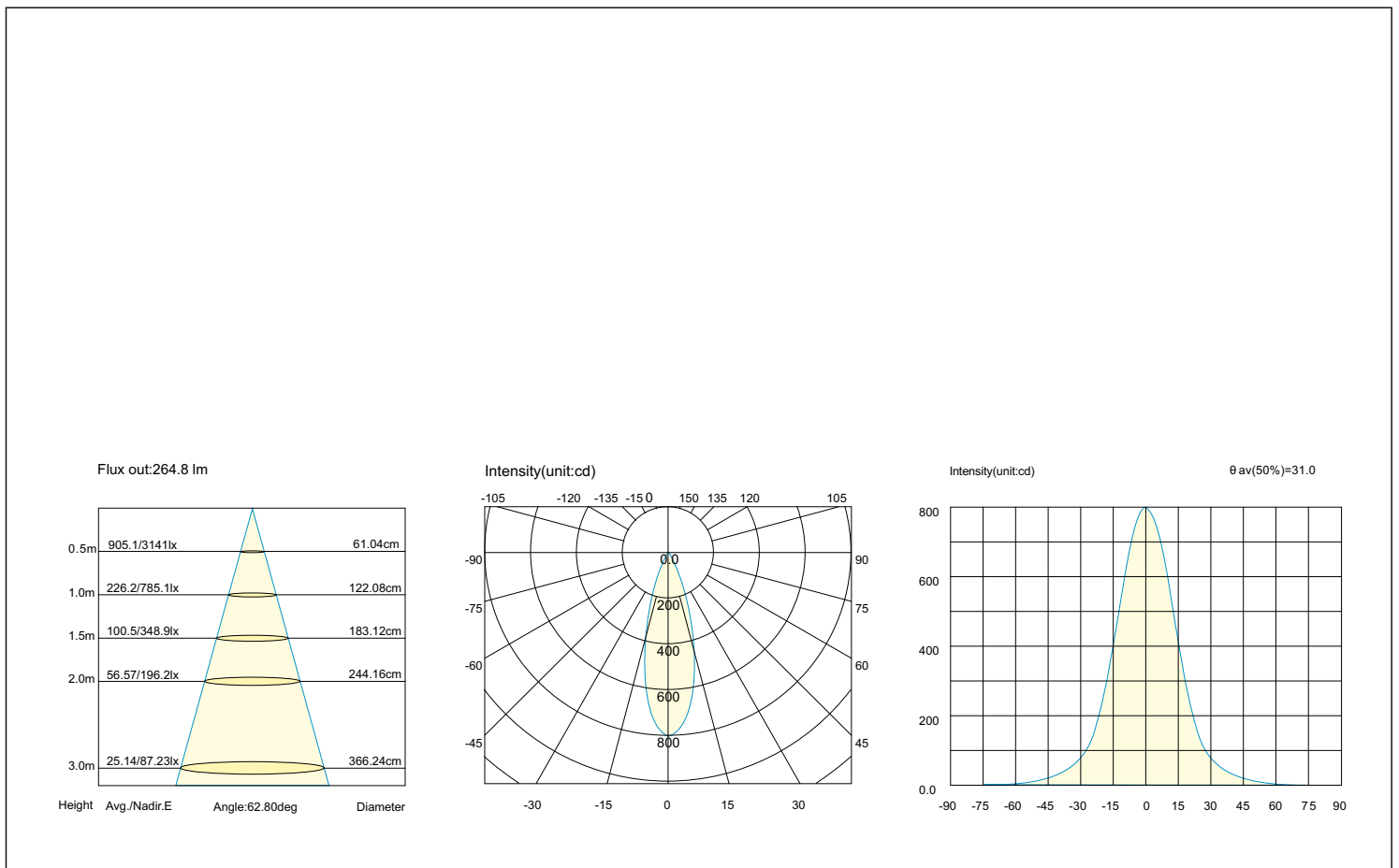
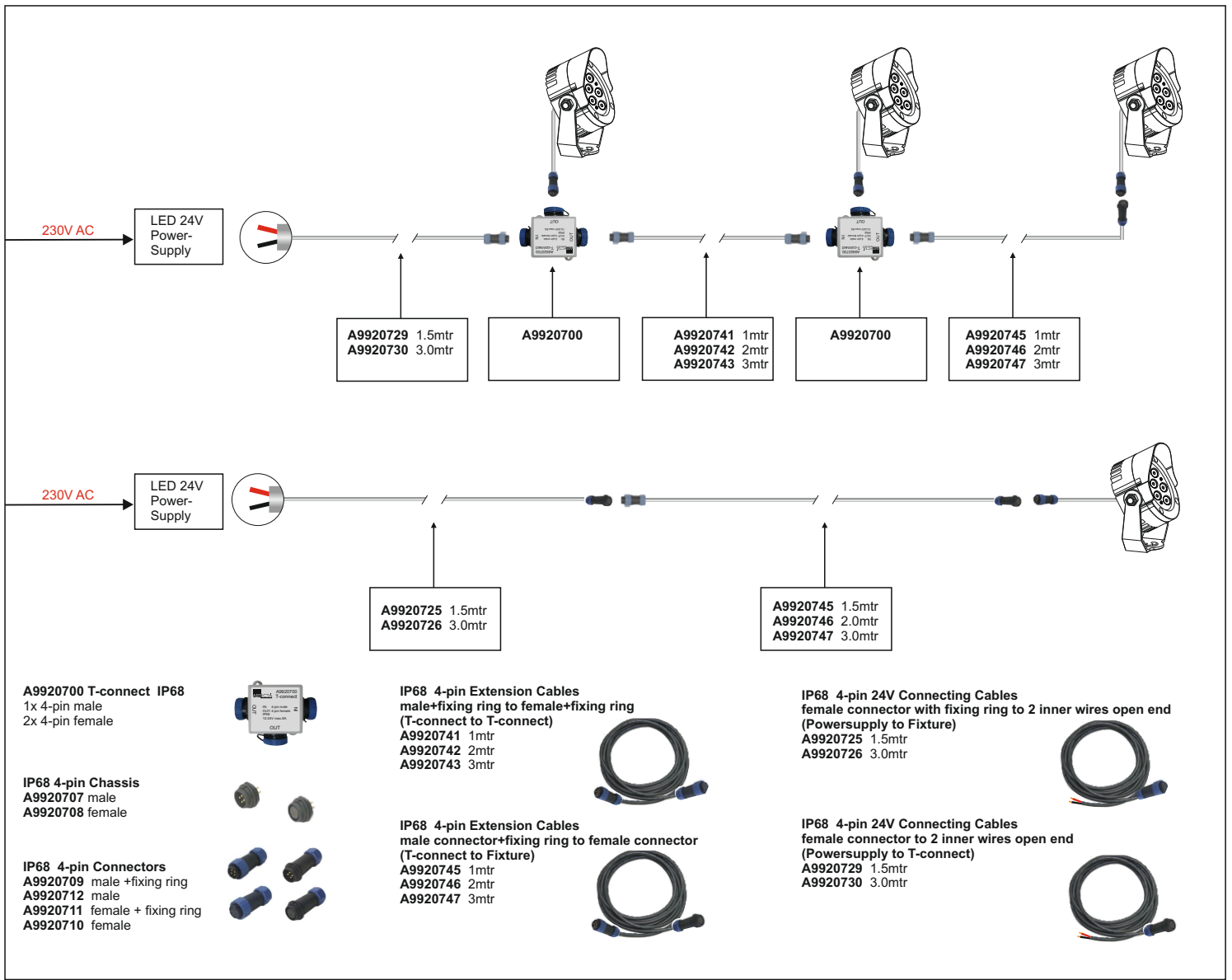
Attention: This high power LED fixture cannot be installed under water

KG	Voltage	Class	IP-65	LED-Power	15°	IES-File	Ø 130 mm W 136 mm D 75 mm
1.00	24V DC	Class III		6x 2W	Symmetric LED-Lens	available	Dimensions



4-pin male IP68





High voltage connection

