

## A0720019 CORBY-WW & Pin

6x warm white LED SMD 5050 (4.3W)

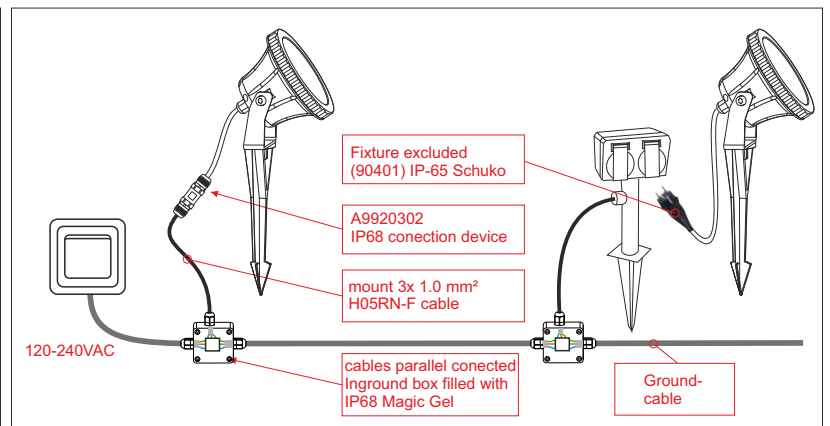
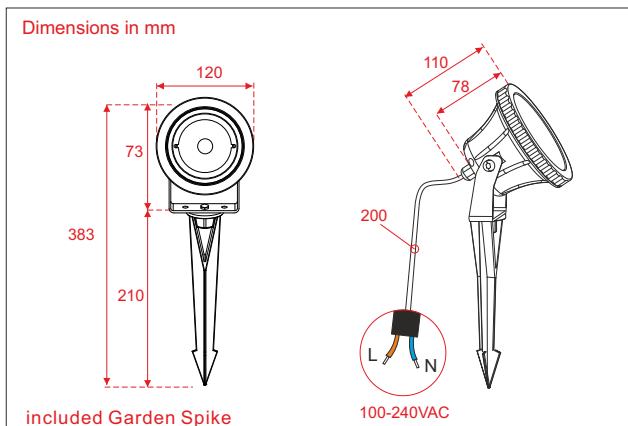
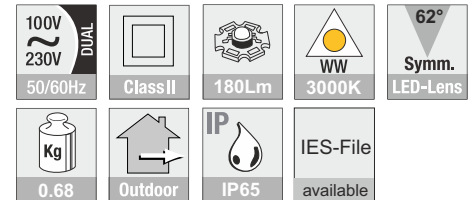
### Technical specifications:

Light source:	6x SMD 5050 warm-white (3000K) LED
Reflector:	61.7° Symmetric, efficiency < 90%
Typical luminance:	180.12Lm
Typical consumption:	8.6VA
Lumen(Lm)/Power(W):	40.94
Max. intensity(cd):	162.217
Central intensity(cd):	158.842
Housing:	Flame resistant Fiber+Nylon RoHS compliant materials
Glass:	4mm tempered white coating glass.
Gasket:	Molding shaped silicone double seal
Cable gland:	IP-68 PG-9
Power cable:	2 mtr HO5RN-F 3x 1.0mm <sup>2</sup> (high voltage)
Input Voltage:	100-240VAC
Weight:	0.67 Kg
Dimensions:	383 x 120 x 78 mm
Classification:	IP-65
IES classification:	Type I
Spike:	PVC

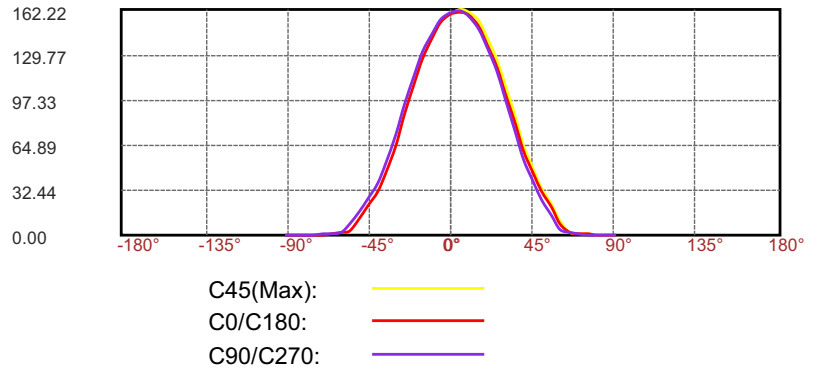
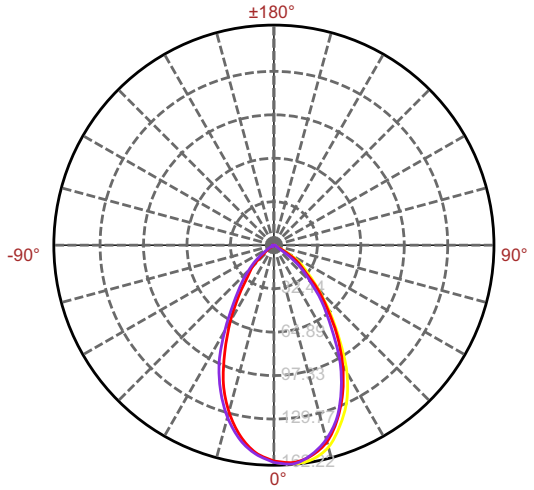
Attention: This high power LED fixture can not be installed under water



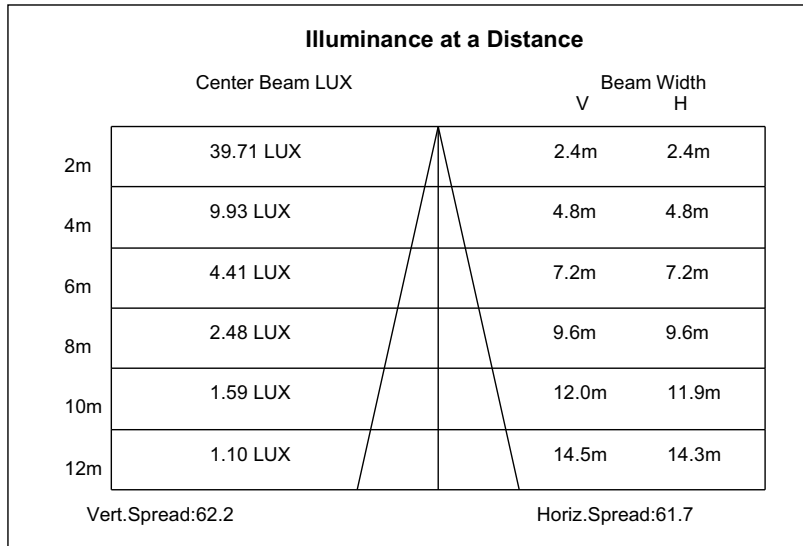
Height	Vert. Spread 26.4°	Horiz. Spread 26.8°	Beam Width V H	Center beam LUX
1m			1.2m 1.2m	158.8 Lx
2m			2.4m 2.4m	39.7 Lx
4m			4.8m 4.8m	9.9 Lx
6m			7.2m 7.2m	4.4 Lx
8m			9.6m 9.6m	2.5 Lx



## Light Distribution Curve [Unit: cd]



## Lux distance Curve



## ISO-Intensity(V-H)

